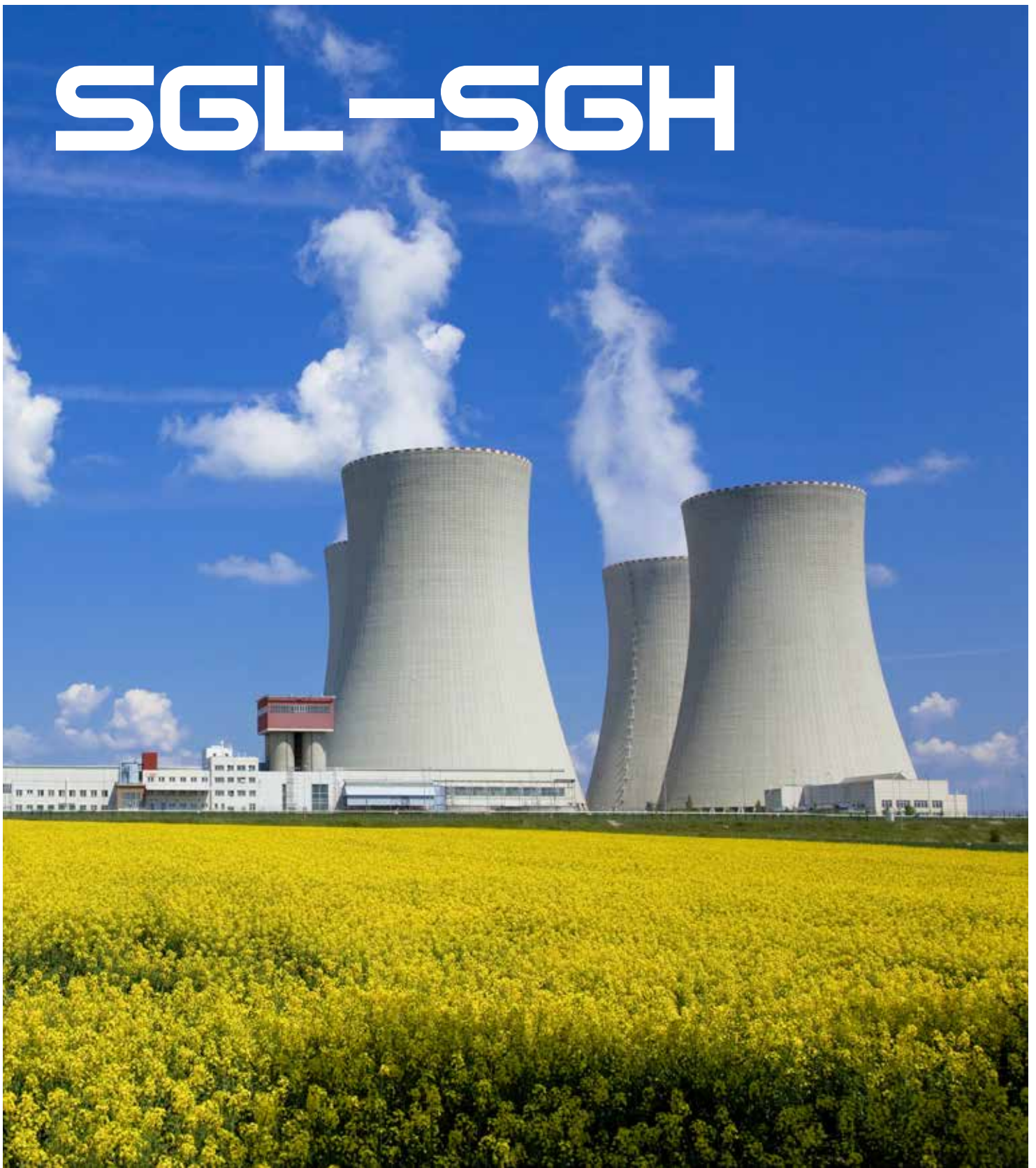


SGL-SGH



SGL-SGH Battery Range

+
FIAMM.COM

FIAMM
+ -

THE SGL-SGH BATTERY SERIES THE REFERENCE RANGE IN TERMS OF GROE VENTED BATTERIES FOR FIAMM AND DESIGNED TO MEET DIN 40738 NORM.

SGL SGH CELLS DIFFERENTIATE FROM TRADITIONAL FLOODED BATTERIES THROUGH PLANTÉ POSITIVE PURE LEAD PLATE WHICH BRINGS A UNIQUE LAMINATE DESIGN. THE ROBUST DESIGN IS CONSTRUCTED TO PROVIDE A DEEP DISCHARGE AND HIGH RATE PERFORMANCES WITH AN UNSURPASSED DESIGN LIFE OF 25 YEARS. THE PURE LEAD POSITIVE ALLOY PLATE GRANTS A VERY LOW WATER CONSUMPTION THAT MEANS LIMITED MAINTENANCE DURING PRODUCT LIFE (SINGLE TOPPING UP IN 3 YEARS IN FLOAT CONDITIONS); THE DESIGN IS OPTIMIZED TO LIMIT THE SELF-DISCHARGE DURING THE STORAGE PERIOD. THE RANGE IS FULLY ECO-FRIENDLY WITH ALL COMPONENTS BEING FULLY RECYCLABLE.



MAIN APPLICATIONS:



INDUSTRIAL UPS



UTILITIES AND INDUSTRY



OIL & GAS

SPECIFICATIONS

The positive Planté plate is composed of 99.9% pure lead resulting in low capacity loss during life and excellent corrosion resistance

A complimentary and robust negative flat plate comprising of an armoured grid provides high reliability

Electrolyte: sulphuric acid electrolyte with low specific gravity of 1.22 kg/l at 68°F

Low internal resistant due to high porosity separators material

Transparent SAN box provides an immediate inspection of electrolyte level

The lid is composed of ABS plastic with a handy service hole to permit a quick and easy measurements of the electrolyte density

The vent plug is made of porous flameproof material for a superior safety

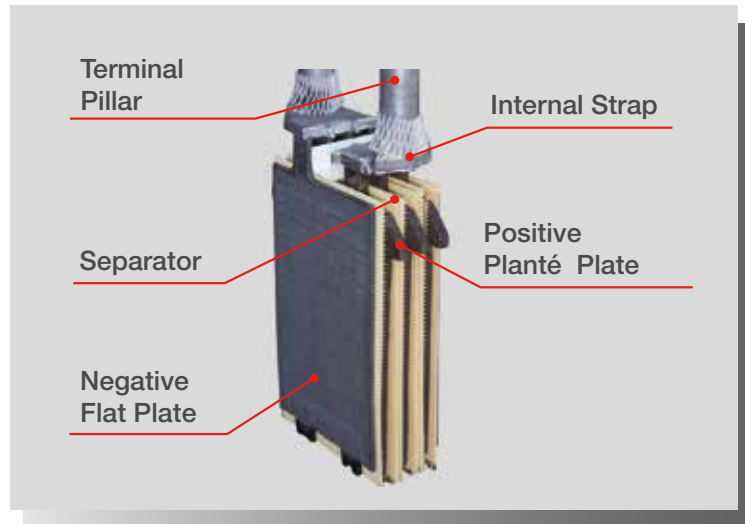
A long shelf life of up to six months is possible without recharge (<2% discharge per month)

The metallic threaded insert on terminals ensures the highest conductivity and provides maximum torque retention and easy installation*

TECHNOLOGY

THE CELL CONSTRUCTION PERMITS PLATE GROWTH DURING CELL LIFE WITHOUT LEAKAGE; IN FACT POSITIVE PLATES ARE SUSPENDED STANDING ON INTERNAL BOX BACKINGS. THIS TECHNICAL FEATURE ALLOWS THE POSITIVE PLATE GROWTH WITHOUT ANY MECHANICAL STRESS ON THE LID FOR ALL PRODUCT LIFE.

THE SGL SGH RANGE DESIGN LIFE IS 25 YEARS THANKS TO HIGH RELIABILITY AND ROBUST COMPONENTS MANUFACTURE. LOW SELF-DISCHARGE ALLOWS TILL 6 MONTHS WITHOUT RECHARGE IN OPEN CIRCUIT CONDITION. ALL SGL SGH MODELS ARE AVAILABLE IN A DRY CHARGE VERSION.



CELL TYPE	REFERENCE DIN 40738	NOMINAL CAPACITY (Ah) 10H to 1.8VPC at 20°C	SHORT CIRCUIT CURRENT (A) IEC 60896-11	INTERNAL RESISTANCE (mOhm) IEC 60896-11	NOMINAL DIMENSION (in)			ELECTROLYTE QUANTITY (gals)	TYPICAL WEIGHT (with electrolyte) (lbs)
					Lenght	Width	Height		
SGL 7D	3 GroE 75	79	1630	1,216	7.17	6.02	16.34	1.43	38.6
SGL 9D	4 GroE 100	105	2160	0,915	7.17	6.02	16.34	1.37	43.4
SGL 11D	5 GroE 125	131	2700	0,733	7.17	6.02	16.34	1.35	48.3
SGL 13D	6 GroE 150	155	3190	0,620	7.17	6.02	16.34	1.29	53.1
SGL 15D	7 GroE 175	183	3770	0,525	7.17	6.02	16.34	1.27	58.0
SGL 17D	8 GroE 200	209	4300	0,460	7.17	8.98	16.34	2.03	73.2
SGL 19D	9 GroE 225	235	4840	0,409	7.17	8.98	16.34	1.98	78.0
SGL 21D	10 GroE 250	261	5380	0,368	7.17	8.98	16.34	1.95	82.9
SGL 23D	11 GroE 275	287	5910	0,335	7.17	8.98	16.34	1.90	87.7
SGL 25D	12 GroE 300	314	6470	0,306	7.17	8.98	16.34	1.85	92.6
SGL 27D	13 GroE 325	340	7000	0,283	7.17	13.39	16.34	3.06	115.7
SGL 29D	14 GroE 350	366	7540	0,263	7.17	13.39	16.34	2.99	120.4
SGL 31D	15 GroE 375	392	8070	0,245	7.17	13.39	16.34	2.93	125.0
SGL 33D	16 GroE 400	418	8610	0,230	7.17	13.39	16.34	2.88	129.9
SGL 35D	17 GroE 425	444	9150	0,216	7.17	13.39	16.34	2.80	134.5
SGL 37D	18 GroE 450	470	9680	0,204	7.17	13.39	16.34	2.72	138.9
SGH 11D	5 GroE 500	550	8800	0.236	12.91	10.55	23.90	7.03	211.6
SGH 13D	6 GroE 600	660	10560	0.197	12.91	10.55	23.90	6.97	233.7
SGH 15D	7 GroE 700	770	12320	0.169	12.91	10.55	23.90	6.92	251.3
SGH 17D	8 GroE 800	880	14080	0.148	12.91	10.55	23.90	6.71	271.2
SGH 19D	9 GroE 900	990	15840	0.131	12.91	10.55	23.90	6.50	291.0
SGH 21D	10 GroE 1000	1100	17600	0.118	12.91	10.55	23.90	6.29	310.9
SGH 23D	11 GroE 1100	1210	19360	0.107	12.91	10.55	23.90	6.08	330.7
SGH 25D	12 GroE 1200	1320	21120	0.098	12.91	13.70	23.90	8.45	383.6
SGH 27D	13 GroE 1300	1430	22880	0.091	12.91	13.70	23.90	8.22	401.2
SGH 29D	14 GroE 1400	1540	24640	0.084	12.91	13.70	23.90	8.00	421.1
SGH 31D	15 GroE 1500	1650	26400	0.079	12.91	13.70	23.90	7.79	438.7
SGH 33D	16 GroE 1600	1760	28160	0.074	12.91	17.24	23.90	10.62	496.0
SGH 35D	17 GroE 1700	1870	29920	0.070	12.91	17.24	23.90	10.38	515.9
SGH 37D	18 GroE 1800	1980	31680	0.066	12.91	17.24	23.90	10.17	533.5
SGH 39D	19 GroE 1900	2090	33440	0.062	12.91	17.24	23.90	9.96	553.4
SGH 41D	20 GroE 2000	2200	35200	0.059	12.91	17.24	23.90	9.75	571.0
SGH 43D	21 GroE 2100	2310	36960	0.056	12.91	20.83	23.90	12.55	650.4
SGH 45D	22 GroE 2200	2420	38720	0.054	12.91	20.83	23.90	12.34	668.0
SGH 47D	23 GroE 2300	2530	40480	0.051	12.91	20.83	23.90	12.02	687.8
SGH 49D	24 GroE 2400	2640	42240	0.049	12.91	20.83	23.90	11.91	705.5
SGH 51D	25 GroE 2500	2750	44000	0.047	12.91	22.60	23.90	12.79	743.0
SGH 53D	26 GroE 2600	2860	45760	0.045	12.91	22.60	23.90	12.55	762.8

ELECTRICAL CHARACTERISTICS

Float Voltage: 2.23 V/cell at 20°C

Boost Voltage: 2.40 V/cell

Float Voltage Compensation with Temperature: -2.5 mV/cell/°C

Self-Discharge at 20°C: <2%/month

STANDARDS

DIN 40738 – specification GroE cell

IEC 60896 Part 11 – vented types requirements & tests

BS 6290 part 2 – British Standard Planté specification

CERTIFICATIONS

ISO 9001

Quality Management System

ISO 14001

Environmental Management System

OHSAS 18001

Workplace Safety & Health

ACCESSORIES

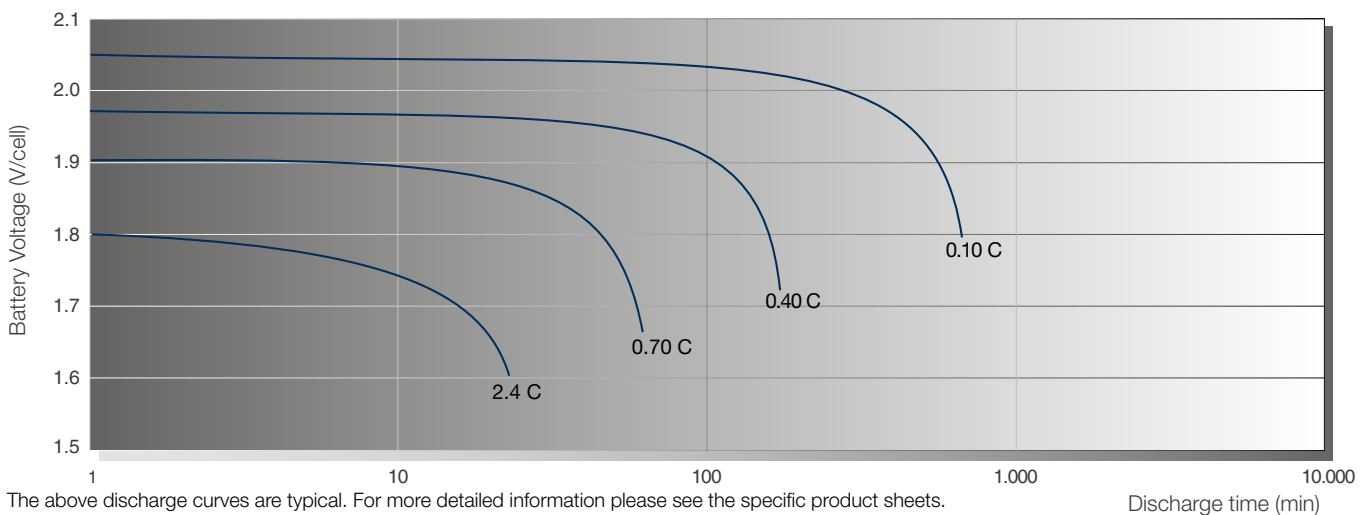
Recombination plug

Filtering plugs to DIN standard

Racks for battery installation (standard and anti-seismic)

Monitoring system

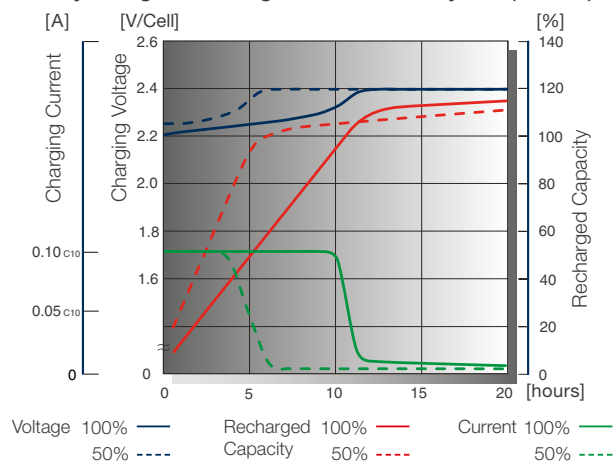
DISCHARGE CURVES at different current / final voltage (at 20°C)



The above discharge curves are typical. For more detailed information please see the specific product sheets.

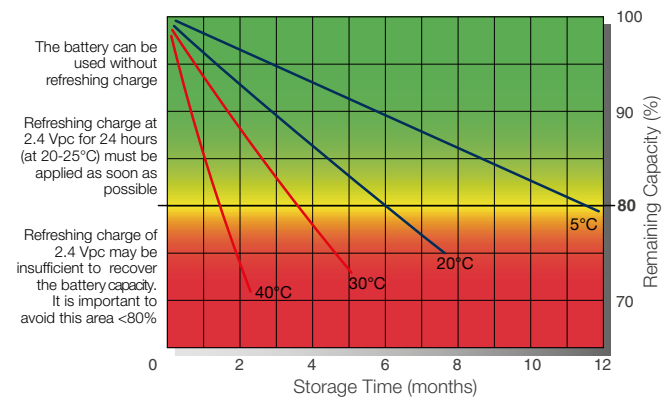
TYPICAL CHARGE CURVES

Battery Voltage and Charge Time for Standby Use (at 20°C)



STORAGE

Capacity loss during storage at various temperatures



FIAMM Energy Technology (USA) LLC

One FIAMM Way
30830 - Waynesboro GA (U.S.A.)
Tel. +1 (706) 437-3220
Fax +1 (706) 437-3300

A Hitachi Group Company

info.industrial.northamerica@fiamm.com
www.fiamm.com

fiamm.batteries
 fiamm.batteries
 youtube.com/user/FIAMMvideo